

IT'S A WHOLE NEW DAY.

The HP CM8050/CM8060 Color MFPs with Edgeline Technology



Reliable, high-speed, cost-effective color output is here to stay.

These first-ever MFPs with Edgeline Technology combine the best of color and mono into one powerful new device for high-volume printing, copying, and digital-sending. They balance unprecedented invention with the familiar functionality and reliable, easy operation you expect from HP.

Cost-effective output at groundbreaking speed

- **Keep color costs under control.** The MFP charges one price for each page of Professional color, another lower price for General Office color, and a third price for black and white. This two-tier color pricing structure makes the product significantly less expensive to operate than similar competitor offerings. HP's Color Access Control provides the tools to manage who uses color and when they use it.
- **Add a dash of color at no extra cost.** HP's Color Accent feature keeps your overall printing costs down by charging users the black and white price for pages that use a very small amount of color. Print memos with color logos, highlight the due date of an invoice, and include color URLs where you need to.
- **Get more than you expect.** The product delivers black and white prints for about the same price you'd pay for black and white prints from an equivalent-class mono MFP.
- **Save time with outstanding print speeds.** HP's new Edgeline Technology means you can print on average 60 pages per minute (ppm) black and white and up to 50 ppm color.

Best-in-class reliability you can count on

- **Lower maintenance costs.** The MFP delivers rock-solid HP reliability, with recommended monthly volume ranges as high as 50,000 pages per month and estimated Mean Copies Between Service Visits comparable to a department class black and white MFP.
- **Optimize print quality with Original HP printing supplies.** Interactive technology in HP Edgeline MFPs and Original HP printing supplies is designed to maintain machine reliability while optimizing the quality of every page printed.¹
- **Eliminate threats with HP's security framework.** HP helps safeguard your business with capabilities that better secure the product, protect critical information on the network, and simplify the way you manage your environment.

Ingeniously easy to use, manage, and support

- **Expect an unsurpassed user experience.** HP's Easy Select Control Panel features a 10-inch color touch-screen that clearly displays all available applications and settings. An automatic navigation tool makes troubleshooting a snap.
- **Easily manage from anywhere.** Web Jetadmin 10.0 device management software enables efficient installation, configuration, and management, while the HP Universal Print Driver simplifies operation.
- **Increase efficiency with an embedded print server.** The full-featured HP Jetdirect print server helps you get the most from your MFP, with outstanding performance, advanced security features, and support for a broad range of network operating systems and protocols.

The best of all worlds—in one versatile device

- **Get the best of mono and color** in one multifunction device. This versatile MFP delivers high-speed black and white copying and printing, fast Professional color quality printing, and low-cost General Office color quality printing. The device can also copy in color and scan in color, and has optional fax capabilities.
- **Integrate documents into workflows.** Enjoy embedded send-to-e-mail and send-to-network folder functionality. Network authentication means enhanced security, and LDAP support ensures easy integration into your existing infrastructure.
- **Produce brilliant, resilient documents.** New HP Vivera office inks not only produce vibrant color images and crisp text quality at any speed, but also deliver water resistant prints that resist smearing.

HP printing and imaging systems help you create powerful, professional communications easily. Imaging devices, supplies, accessories, and services are designed together to work together and are invented to meet your business needs.

LaserCare
PRINTER & MFP EXPERTS

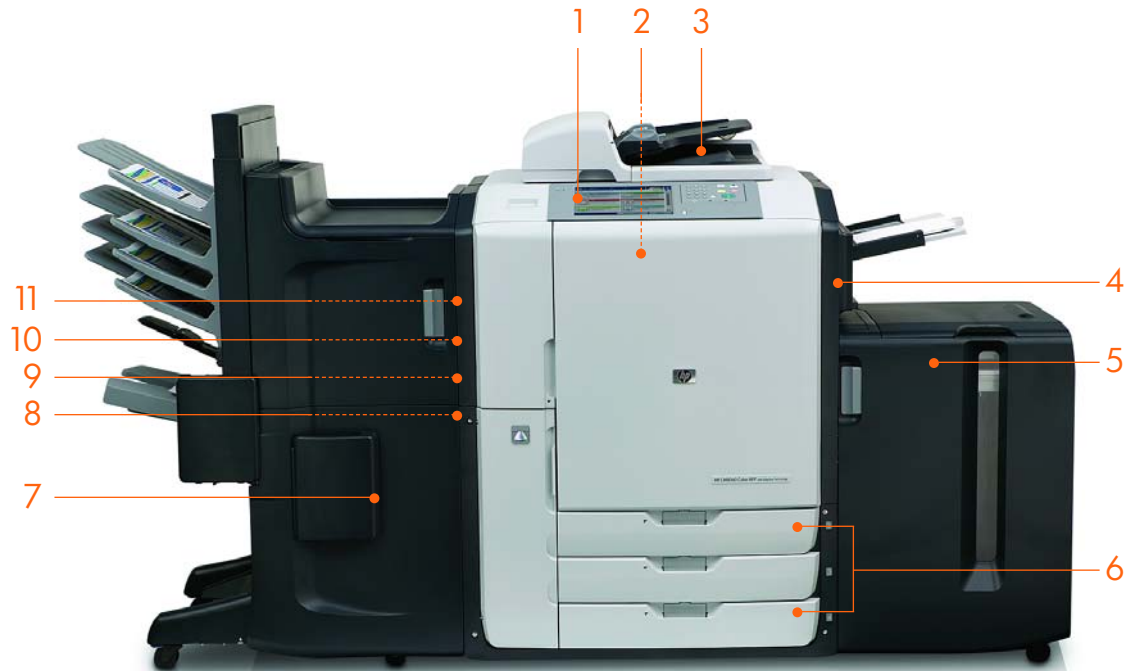
3375 Robertson Place
Los Angeles, CA 90034
(800) LASER-20
www.lasercare.com

¹Using Original HP supplies ensures availability of all HP printing features.

HP CM8050/CM8060 Color MFPs with Edgeline Technology

1. Easy-to-use 10-inch touch-screen control panel with 12-key number pad provides effortless interaction
2. Automatic two-sided printing offers fast, efficient duplexing
3. 100-sheet automatic document feeder (ADF) automatically scans two-sided documents
4. 80-sheet multipurpose tray handles heavy custom media up to 58 lb (220 g/m²)
5. Optional high-capacity 4,000-sheet input tray 5
6. Adjustable 500-sheet input trays 2, 3, and 4
7. Choose the single output bin, 4-bin job separator, or the 2,500-sheet stapler/stacker and 4-bin job separator output solution
8. USB port for third-party solutions
9. HP Jetdirect embedded print server enables high-performance networking
10. 1024 MB total memory and a powerful 1.6 GHz processor perform complex tasks quickly
11. 80 GB embedded hard disk for effective digital-sending, private printing, and job storage

HP CM8060 Color MFP shown with the 2,500-sheet stapler/stapler and 4-bin job separator and the optional 4,000-sheet input tray 5



Build to suit your environment

For the utmost in flexibility, choose between the HP CM8050 Color MFP (C5958A) and the HP CM8060 Color MFP (C5957A). The products share all features in common, except that the HP CM8060 Color MFP prints at an accelerated rate—60 ppm black and white, 50 ppm color—while the HP CM8050 Color MFP prints at 50 ppm black and white, 40 ppm color at a reduced cost.

Add the following optional components to your HP CM8050/CM8060 Color MFPs to meet the needs of your business:

- Quickly and securely send faxes with the HP Edgeline MFP Analog Fax Accessory.
- Add additional forms, fonts, and barcode printing capabilities via the device's host USB port.

Step up to Edgeline, HP's breakthrough printing technology. Enjoy best-in-class reliability and operating costs, as well as laser-quality text and graphics, brilliant images, and breathtaking print speeds.

Printing redefined

Available exclusively from HP, Edgeline is sophisticated technology built on a simple concept: move the paper—not the print head. Instead of using a single small print head that moves back-and-forth across the page to distribute ink (as traditional inkjet devices do), Edgeline uses an array of larger print heads that together stretch across the entire page. When the print heads span the page, they don't need to move. They can stay in one place while the paper moves below them, and that opens the door to a whole host of exciting performance capabilities.

Edgeline Technology leverages HP's exclusive Scalable Printing Technology, which works in tandem with other system improvements—such as HP Vivera inks—to give you all the benefits of lasers and all the benefits of ink in a single print engine. Edgeline results in an entirely new class of color print devices, featuring best-in-class reliability and operating costs and outstanding performance. They deliver exceptional print quality (those large print heads each have an amazing 10,560 nozzles for incredibly precise ink delivery).

Versatile print quality

Designed specifically for HP's Edgeline Technology, new HP Vivera office inks enable unprecedented performance and print quality. They not only produce vibrant color images and crisp text quality at any speed, but with HP's new ink and bonding agent system, they also deliver water resistant prints that resist smearing, even from highlighter use.

When tested side by side against competitors, HP Edgeline MFPs achieved color print quality among the leaders when printing in Professional mode, and delivered print quality that meets the color needs of most office users when printing in General Office mode.

Simple management

HP Edgeline MFPs are easy to use and are compatible with powerful HP LaserJet management tools:

- **HP Web Jetadmin** is a simple, Web-based peripheral management utility for remotely installing, configuring, and managing a wide variety of HP and non-HP network peripherals. Through a standard Web browser, you can manage supplies, configure devices, conduct remote diagnostics, set up automatic e-mail alerts, and solve potential problems before they impact user productivity.
- **The Embedded Web Server (EWS)** allows you to quickly configure and monitor a single unit.
- **The embedded HP Jetdirect print server** provides the tools you need to create a secure, interactive, highly manageable client server network, helping you improve productivity, protect company data, and get the most from your Edgeline MFP.
- **HP Universal Print Drivers** can alleviate administration headaches with a single, intelligent driver that replaces individual drivers for all HP networked devices. They feature a common interface and real-time access to print features, job status, and device status, so users can operate them easily and solve problems on their own.

Expandable functionality

The HP CM8050/CM8060 Color MFPs are capable of greater functionality, including optional fax capabilities. HP partnerships enable access to integrated third-party solutions via your device's host USB port. Experience device extension with additional forms, fonts, and barcode printing capabilities. Maximize the return on your hardware investment with unique business process solutions in the areas of document capture, job accounting, and security.

Choose the paper handling solution that fits your business



4,000-sheet input bin

Add the optional large-capacity input tray to support high-volume printing while reducing user intervention. Print up to 5,580 letter or A4 sheets through up to 5 input options without reloading.



Single output bin²

Get standard output capacity—about 250 pages—with this single output bin. The tray supports plain paper in a wide variety of sizes and weights.



4-bin job sorter

Get a maximum output capacity of 1,200 pages while separating copy, print, and fax³ jobs to different output trays. Two bins hold up to 400 pages each and two more hold up to 200 pages each.



2,500-sheet stacker/stapler and 4-bin job sorter

Get extra output capacity—up to 3,700 pages in five bins—and separate jobs by function. Staple up to 50 pages per document and stack up to 1,000 stapled pages.

² The single output bin, 4-bin job sorter, and 2,500-sheet stacker/stapler and 4-bin job sorter are optional accessories (available for separate purchase). Purchasers must choose from one of these three output accessories.

³ Faxing is an optional capability (not included, sold separately).

HP CM8050/CM8060 Color MFPs with Edgeline Technology

Technical specifications

HP CM8050 Color MFP (C5958A)

HP CM8060 Color MFP (C5957A)

Print and copy speed¹	50 ppm black and white (up to 60 ppm); 40 ppm color (up to 60 ppm)	60 ppm black and white (up to 71 ppm); 50 ppm color (up to 71 ppm)
First page out	Less than 10 seconds from Ready (less than 90 seconds from Sleep)	
Resolution	600 by 600 dpi black and white and color; up to 600 by 1200 optimized dpi ³	
Printing features	Duplex and booklet printing, N-up printing, Collation, Watermarks	
Copying features	1 to 9,999 copies, reduce/enlarge from 25 to 400%, N-up, AES/AMS/APS/ATS, Job Build, Image Erase, Watermarks/Overlays/Stamps, Color Temperature/Saturation	
Scanning features	Flatbed scanner up to 11.7 by 17 in (297 by 432 mm); supported file types: JPEG, TIFF (compressed and uncompressed), PDF, GIF, and BMP	
Faxing features	Optional analog fax accessory; fax speed: up to 33.6 kbps; resolution best mode: 300 by 300 dpi; JBIG compression, fax forwarding, fax polling, and auto redialing supported	
Control panel features	10-inch touch-screen display, 12-key numeric keypad, menu and navigation buttons, job start, stop, interrupt, and sleep buttons	
Digital-sending features	Send to e-mail, Send to Network folder	
Processor	1.6 GHz	
Memory	1024 MB DDR RAM	
Hard drive	80 GB embedded hard disk	
Durability ratings	Recommended monthly page volume ² : 5,000 to 30,000 Duty cycle ² : up to 220,000 pages per month	Recommended monthly page volume ² : 10,000 to 50,000 pages Duty cycle ² : up to 250,000 pages per month
Paper handling	80-sheet multipurpose tray 1, three 500-sheet input trays (2, 3, and 4), 100-sheet automatic document feeder (ADF), optional 4,000-sheet input tray 5	
Input	250-sheet output bin, 1,200-sheet 4-bin job separator, 2,500-sheet stacker/stapler and 1,200-sheet 4-bin job separator (one finishing option must be ordered)	
Output (optional)		
Sizes	Multipurpose tray: 4 by 6 in to 12.6 by 18 in (102 by 152 to 320 by 457 mm); letter, legal, executive, statement, tabloid; A3 (ISO), A4 (ISO), A5 (ISO), RA3, RA4, SRA4, B4 (JIS), B5 (JIS), B6 (JIS), 8K, 16K Trays 2, 3, and 4: 5.5 by 8.27 in to 11.69 by 17 in (140 by 210 to 297 by 432 mm): letter, legal, executive, statement, tabloid; A3 (ISO), A4 (ISO), A5 (ISO), B4 (JIS), B5 (JIS)	
Optional 4,000-sheet tray 5:	letter, A4 (ISO) ADF: letter, legal, executive, statement, tabloid; A3 (ISO), A4 (ISO), A5 (ISO), B4 (JIS), B5 (JIS); mixed sizes of same width	
Stapler:	letter, legal, executive, tabloid; A3 (ISO), A4 (ISO), A5 (ISO), B4 (JIS), B5 (JIS)	
Weights	Multipurpose tray: 16 to 58 lb (60 to 220 g/m ²); trays 2, 3, 4, and optional tray 5: 16 to 48 lb (60 to 180 g/m ²); ADF: 16 to 36 lb bond (60 to 135 g/m ²)	
Types	Paper (plain, preprinted, letterhead, prepunched, bond, color, recycled, rough), labels, cardstock	
Connectivity	One available EIO slot, HP Jetdirect Fast Ethernet embedded print server	
Interfaces	HP PCL 6, HP PCL 5c, HP postscript level 3 emulation, direct PDF printing (v 1.4)	
Languages	Microsoft® Windows® 2000, Me, XP; IBM OS/2 version 3.0 or greater (available from the Web), Apple Mac OS 7.5 or greater, Linux® (available from the Web)	
Client operating systems	Via HP Jetdirect print servers: Microsoft Windows 2000, XP, XP 64-Bit, Server 2003; Novell NetWare 3.2, 4.2, 5.x, 6.x; Apple Mac OS 8.6 and later; Red Hat Linux 6.x and later; SuSE Linux 6.x and later; HP-UX 10.20, 11.x; Solaris 2.5x, 2.6, 7, 8, 9, 10 (SPARC systems only); IBM AIX 3.2.5 and later; MPE-iX; Citrix MetaFrame; Windows Terminal Services	
Network operating systems	Via HP Jetdirect print servers: TCP/IP (IP Direct mode; may require software from the NOS vendor or third-party vendor: LPD, FTP, IPP), IPX/SPX, DLC/LLC, AppleTalk, Auto-IP, Apple Rendezvous compatible, NDS, Bindery, NCP, Telnet, SLP, IGMP, BOOTP/DHCP, WINS, SNMP (v 1, 2c, 3), HTTP	
Network protocols supported		
Dimensions (w by d by h)	With the single output bin: 50 by 33 by 48 in (1270 by 840 by 1220 mm); with stacker/stapler/4-bin job separator and high-capacity input tray: 85 by 33 by 48 in (2160 by 840 by 1220 mm)	
Weight	725 lb (327 kg)	
What's in the box	HP CM8050 Color MFP, power cord, printheads, printer documentation, printer software CD, control panel overlay, three 500-sheet input trays, 80-sheet multi-purpose tray, choice of output paper handling device, HP Jetdirect Fast Ethernet embedded print server, automatic document feeder	HP CM8060 Color MFP, power cord, printheads, printer documentation, printer software CD, control panel overlay, three 500-sheet input trays, 80-sheet multi-purpose tray, choice of output paper handling device, HP Jetdirect Fast Ethernet embedded print server, automatic document feeder

Environmental ranges

Temperature	Maximum operating: 50 to 86 degrees F (10 to 30 degrees C); recommended operating: 59 to 77 degrees F (15 to 25 degrees C); storage: 50 to 95 degrees F (10 to 35 degrees C)
Relative humidity	Maximum operating: 15 to 80%; recommended operating: 20 to 50%

Acoustics³

Power emissions	Active (copying): 7.3 B(A) Ready/Idle: 5.2 B(A)
Pressure emissions bystander	Active (copying): 57 dB(A) Ready/Idle: 33 dB(A)

Power requirements	110 to 127 VAC (+/- 10%), 50/60 Hz (+/- 2 Hz), 20 amp, dedicated circuit 220 to 240 VAC (+/- 10%), 50/60 Hz (+/- 2 Hz), 15 amp, dedicated circuit
---------------------------	--

Power consumption⁴ (Energy Star ⁵ compliant)	Active: 1920 watts Sleep: 50 watts
--	---------------------------------------

Power certifications

EMC	CISPR 22: 1997+A1+A2, EN 55022: 1998 +A1+A2 - Class A, EN 61000-3-2: 2000, EN 61000-3-3: 1995+A1, CISPR 24: 1997+A1+A2, EN 55024: 1998+A1+A2, FCC Title 47 CFR, Part 15 - Class A
Safety	IEC 60950-1: 2001, EN 60950-1: 2001, IEC 60825-1: 1993 + A1:1997 + A2: 2001, EN 60825-1: 1994 + A1: 2002 + A2: 2001 (Class 1 Laser/LED Product)

Warranty	90-day limited warranty
-----------------	-------------------------

¹ Average speed using document suite. Exact speed varies depending on the system configuration, software program, and document complexity. Maximum copy speed: single-sheet copy placed on glass. Print multiple copies of single-sheet original at engine speed.

² Black and white and color printing on glossy brochure paper, with 600 by 600 dpi input data when printing from a computer.

³ HP recommends that the number of pages per month of imaged output be within the stated range for optimum device performance, based on factors including supplies replacement intervals and device life over an extended warranty period.

⁴ Duty cycle is defined as the maximum number of pages per month of imaged output. This value provides a comparison of product robustness in relation to other HP LaserJet or HP Color LaserJet devices, and enables appropriate deployment of printers and MFPs to satisfy the demands of connected individuals or groups.

⁵ Values are based on preliminary data. See www.hp.com/support for current information. Configuration tested: print simplex using A4 paper at 60 ppm.

⁶ Values subject to change. See www.hp.com/support for current information. Power numbers are the highest values measured using all standard voltages.

© Copyright 2007 Hewlett-Packard Development Company, L.P. The information contained herein is subject to change without notice. The only warranties for HP products and services are set forth in the express warranty statements accompanying such products and services. Nothing herein should be construed as constituting an additional warranty. HP shall not be liable for technical or editorial errors or omissions contained herein.

Energy Star and the Energy Star logo are U.S. registered marks of the United States Environmental Protection Agency. HP and the invent signature are trademarks of the Hewlett-Packard Company. Windows and Windows XP are U.S. registered trademarks of Microsoft Corporation.

For more information visit our website at www.hp.com

Ordering information

Product	Number
HP CM8050 Color MFP	C5958A
HP CM8060 Color MFP	C5957A
Software and accessories	
HP MFP Analog Fax Accessory	C5954A
4,000-sheet input bin	Q5961A
Output accessories (must choose one with order)	
Single output bin	C5963A
4-bin job separator	C5964A
2,500-sheet stacker/stapler and 4-bin job separator	C5959A
Paper	
North America: www.hp.com/go/everydaypapers	
Europe: www.hp.com/go/supplies	
Asia Pacific: www.hp.com/apac/printingsupplies	
Latin America: contact HP via phone:	
USA: 1-800-477-5010, Europe: +800 7644 7644, Asia: 65-6253-8500, Australia and New Zealand: 61-2997-2299LAR, Brasil: sac 0800 70 300 70	
Third-party solutions	
www.hp.com/go/gsc	

LaserCare Technologies, Inc.
3375 Robertson Place
Los Angeles, CA 90034
(800) LASER-20
www.lasercare.com

LaserCare
PRINTER & MFP EXPERTS

Elite Partner



Office Printing Solutions